

G1-FW151 Flat Bench

MATRIX

Three-point Foot Contact

Allows for unencumbered foot positioning

Anchoring Bench

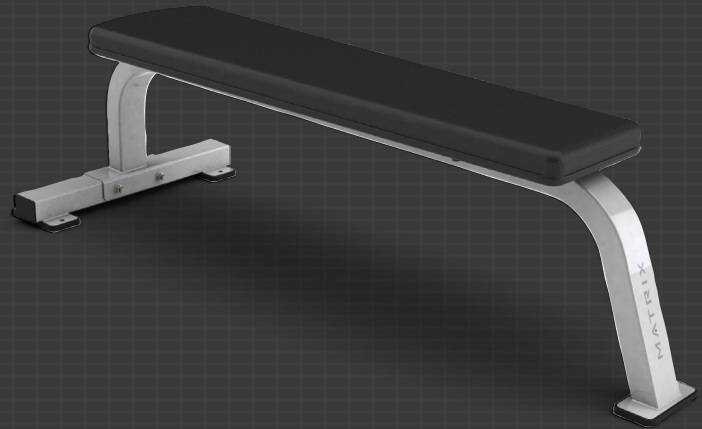
For improved stability

G1 Flat Bench

| | |
|------------|-----------------|
| Dimensions | 61" x 22" x 18" |
| Net Weight | 77 lbs. |

WARRANTY (Valid in the USA only, outside may vary)

| | |
|---|----------|
| Frame (not coatings) | 10 years |
| Structural parts | 10 years |
| Labor | 1 year |
| Upholstery/grips/springs & any item not specified | 90 days |



G1-FW152 Adjustable Decline Bench

MATRIX

Back Pad

Easily adjusts to four positions from 0 to 30 degree decline

Reduce Lower Back Strain

With supported legs and elevated knees

Integrated Wheels

For easy transport around facility

G1 Adjustable Decline Bench

| | |
|------------|-----------------|
| Dimensions | 82" x 25" x 38" |
| Net Weight | 110 lbs. |

WARRANTY (Valid in the USA only, outside may vary)

| | |
|---|----------|
| Frame (not coatings) | 10 years |
| Structural parts | 10 years |
| Labor | 1 year |
| Upholstery/grips/springs & any item not specified | 90 days |

